

Sperry Marine

NAVIGAT 200



NAVIGAT 200 is the latest advancement of the Northrop Grumman Sperry Marine spinning mass gyrocompass.

Built on the successful NAVIGAT X MK1, the NAVIGAT 200 combines the latest technology breakthrough with quality, price and requires only minimal service support.

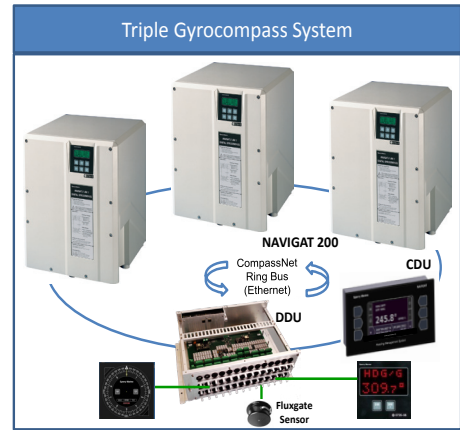
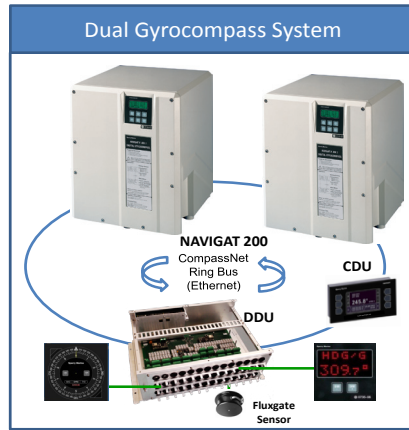
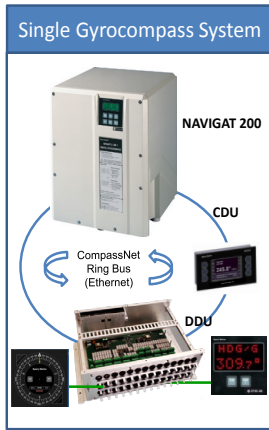
Features

- System architecture based on Ethernet communication for easy installation
- Building block for CompassNet and multiple gyrocompass systems
- Low lifecycle costs
- Easy integration with magnetic and GPS compasses, FOG and third party gyros
- HSC Approved
- Short installation time
- High-speed follow-up system 100°/sec
- 180° heading offset function for shuttle vessels
- High resolution ROT output
- Dual, triple and quadruple configurations compliant with Class Notifications DNV NAUT-OC and NAUT-AW, GL NAV-INS and DNX DPS-2 and DPS-3

The NAVIGAT 200 and Rate of Turn is type approved in compliance with:

- 96/98/EC Marine Equipment Directive 2015/559 April 2015 (wheelmark)
- IMO A.424(XI), A.694(17) A.526(13) (Rate of Turn), MSC.191(79), A.821(19)-(HSC), MSC.36(63)-(1994 HSC Code), MSC.97(73)-(2000 HSC Code), ISO 16328(2014). Compliant with the requirements of DNV GL Rules for Ships Pt.6 Ch.3 (INS)

Configurations



Performance, Specifications and I/O Signals

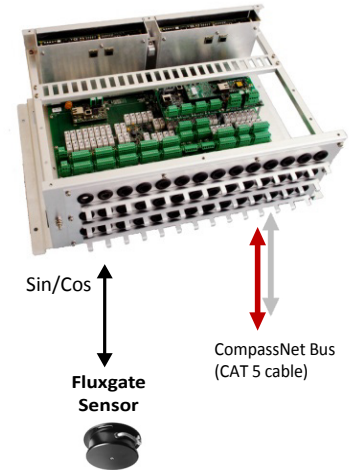
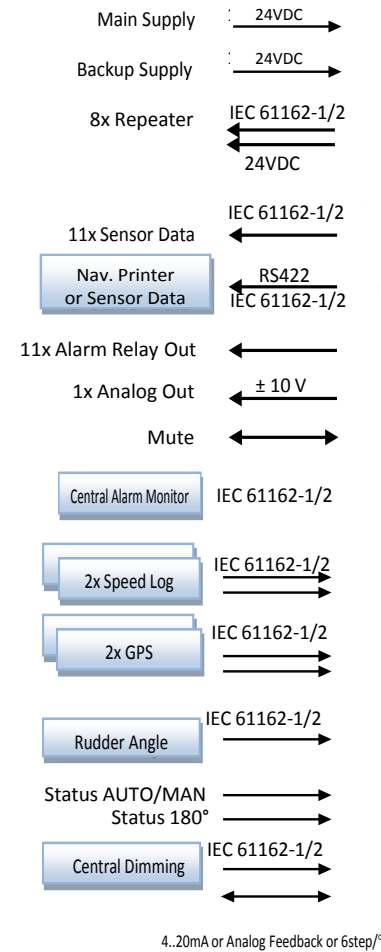
Performance

Linear mean settle point error (RMS)	≤ 0.1° Secant latitude
Static error (RMS)	≤ 0.1° Secant latitude
Dynamic error	≤ 0.4° Secant latitude
Heading Resolution	0.1
Rate of Turn Resolution	≤ 0.5 ± 5% °/min
Freedom of Roll & Pitch	± 40°
Settling Time	2 to 3 hours
Follow-Up rate	100°/sec
MTBF	120,000
North stabilization at power interruption	~3min

Operations

Power Supply	DC 24V		
	AC 115/230V (external ps)		
Power Consumption		NAVIGAT 200	DDU CDU
Start-Up		96W	
Operations		64W	
Analogue Repeater			101w
Universal Digital Repeater			+7W per Repeater
			+5W per Repeater
Temperature range	Operation	-10°C to +55°C	
	Storage	-25°C to +70°C	
Power Failure Alarm	Visible, audible and potential free contact		
Protection Grade	IP 23 as per IEC/EN 60529		
Environmental Req & EMC	In accordance with EN60945 (IEC 945 +1)		
Magnetic Clearance to:	Standard Magnetic Compass		0.5m
	Steering Magnetic Compass		0.35m
Reduced Magnetic Clearance to:	Standard Magnetic Compass		0.3m
	Steering Magnetic Compass		0.3m

I/O signals



For more information, please contact:

AMERICAS

New Orleans, LA USA
Tel: +1-504-328-9171

ASIA

China, Shanghai
Tel: +86-21-5179-0199

Hong Kong
Tel: +852-2581-9122

Japan, Tokyo
Tel: +81 (03)-3863-7401

Singapore
Tel: +65-6274-3332

South Korea, Busan
Tel: +82-51-247-7455

CANADA

Nova Scotia, Halifax
Tel: +1-902-468-9479

British Columbia, Vancouver
Tel: +1-604-821-2090

EUROPE

Belgium, Antwerp
Tel: +32 (0)3233-1433

Denmark, Copenhagen
Tel: +45 77-33-6633

Germany, Hamburg
Tel: +49 (0)40-299-000

The Netherlands, Vlaardingen
Tel: +31 (0)10-445-1600

Norway, Bergen
Tel: +47 (0)55-94-9494

United Kingdom, London
Tel: +44 (0)20-8329-2000